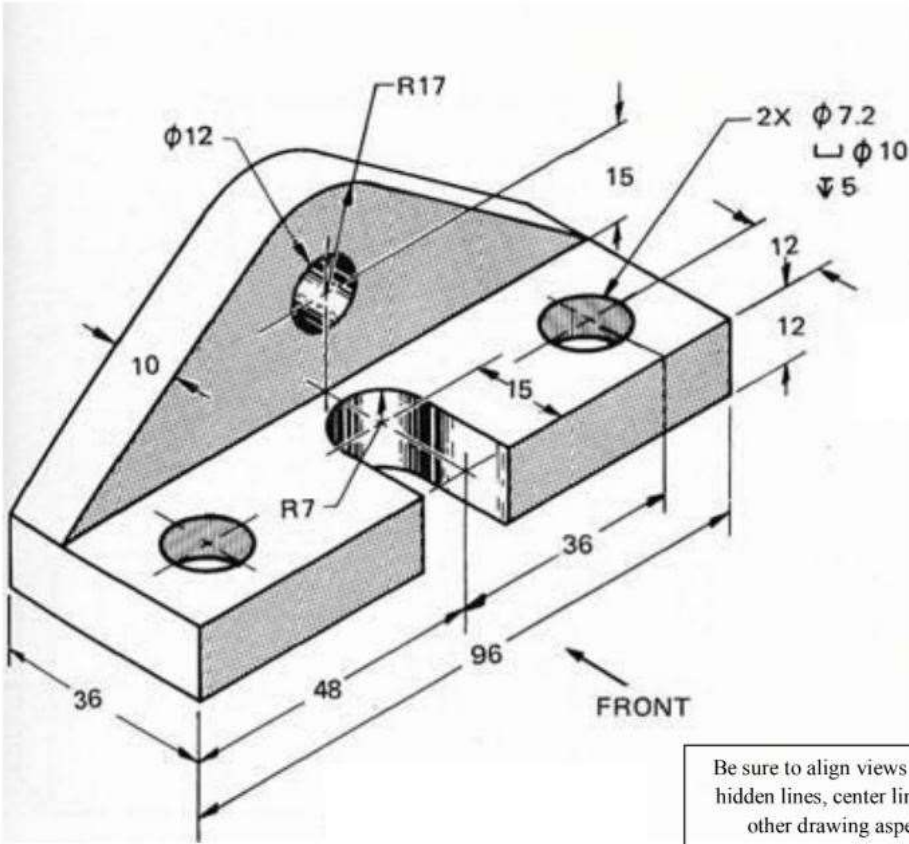
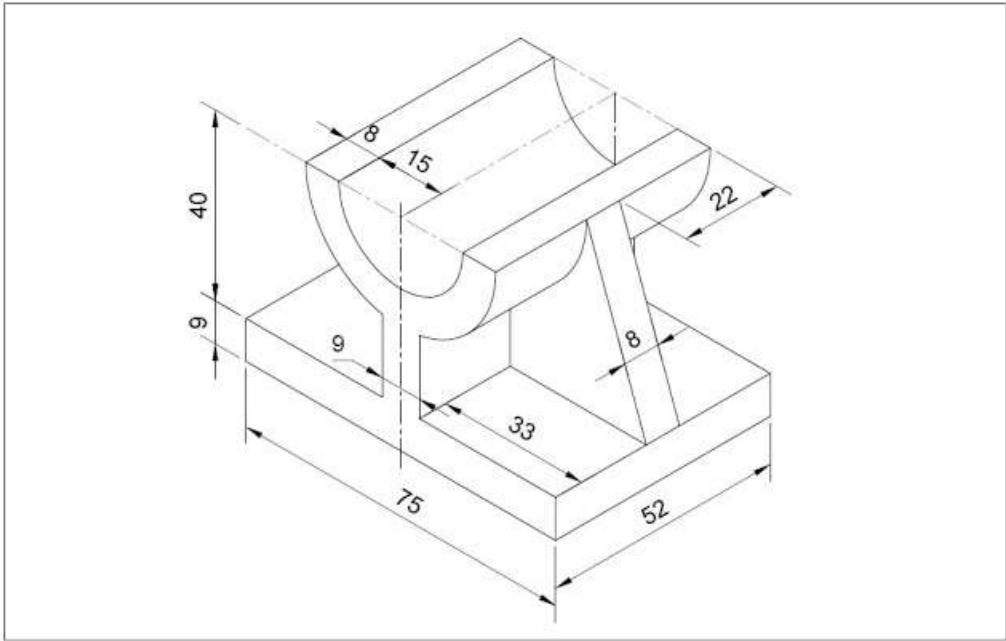
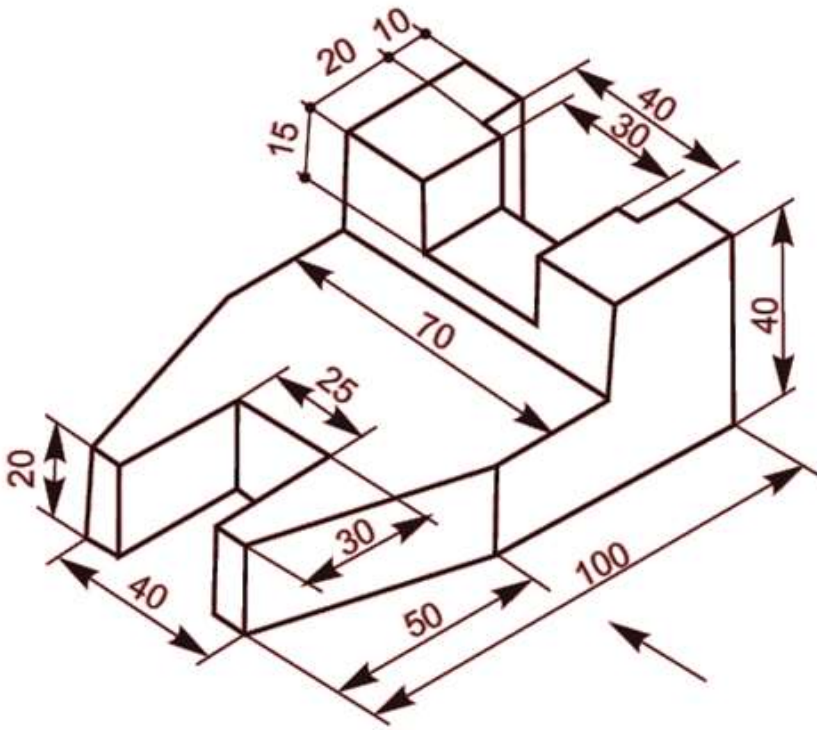


Intro to Engineering (Offline Work): Draft The Following Iso Drawings



Be sure to align views and use hidden lines, center lines, and other drawing aspects.



..

